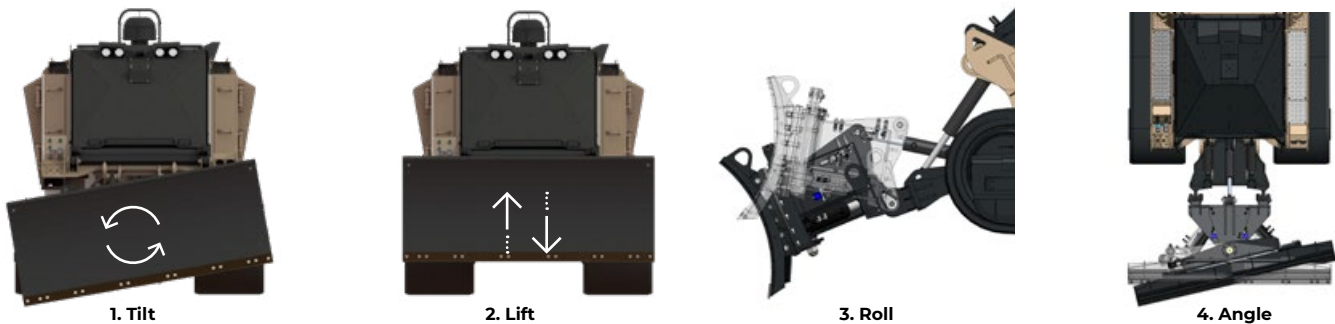


DOZER BLADE PT

Eight-way dozer blade.

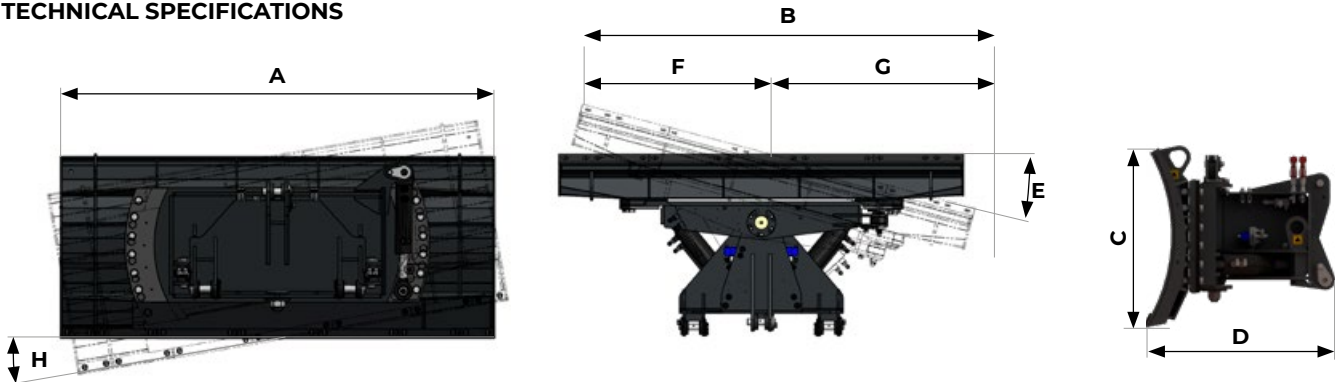
Heavy-duty frame, 2400 mm working width. Designed for rough and finish grading in dirt, leveling and trenching. Hydraulic controlled angle and tilt. Angles 15° right or left off center. Tilts 10 degrees off horizontal both directions. Relief valves to protect the hydraulic angling system when the blade is overloaded.

RANGE OF MOTION



The 8-way movement allows you to tilt (1), lift (2), roll (3) and angle (4) the blade, all from the cab or remote control of your PT300 D:MINE!

TECHNICAL SPECIFICATIONS



MODEL	DOZER BLADE PT300-240
A. Blade width (mm)	2400
B. Working width (mm)	2320
C. Moldboard height (mm)	970
D. Overall depth with attachment plate (mm)	1020
E. Blade angle	±15°
F. Center line to edge, when angled (mm)	1055
G. Center line to edge (mm)	1265
H. Blade tilt	±10°
Weight (kg)	1400
Moldboard thickness (mm)	15

Data refers to machine as standard. The technical data in this catalogue may be altered without prior notice.